

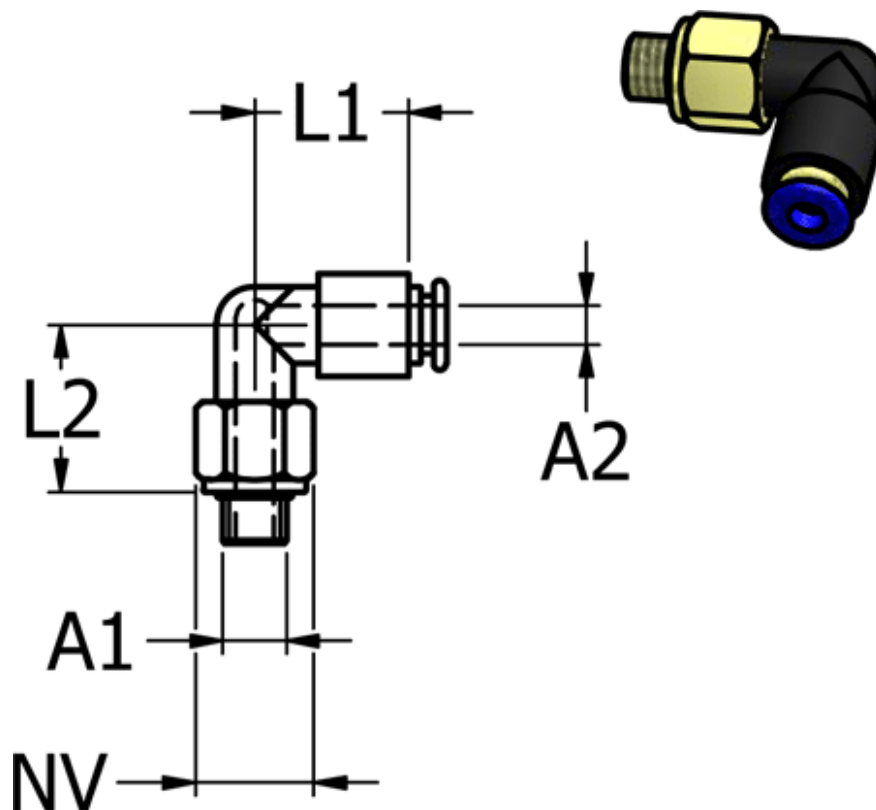
Data Sheet



Article number: 586PL64

Description: Mini Push-in PL64, angle, M6 hose \varnothing 4

Measures



Ext. hose diameter A2 = 4 mm

L1 = 14

L2 = 17.6

NV = 10

Thread A! = M6